

NEW!

**NEW ALL-GLASS
WALL SYSTEM
FASTER ASSEMBLY**



G-FITTINGS[®]

AMAZING IN MOTION

**G-FITTINGS
ALL-GLASS WALLS**



G-Fittings is a manufacturer of interior design products that are mainly used in commercial buildings. The main products are glass walls, door frames and sliding doors in aluminum. We also supply partitions, as well as a number of different solutions within glass and interiors. The products are designed, tested and developed by us in close collaboration with architects and fitters. The company's philosophy is to develop products with up-to-date design, which are quick to assemble and have a competitive price.

G-Fittings will be your partner in interior design. Visit our exciting showroom in Emmerich or our new webshop to be inspired to work with us.



G-FITTINGS

ALL-GLASS WALLS

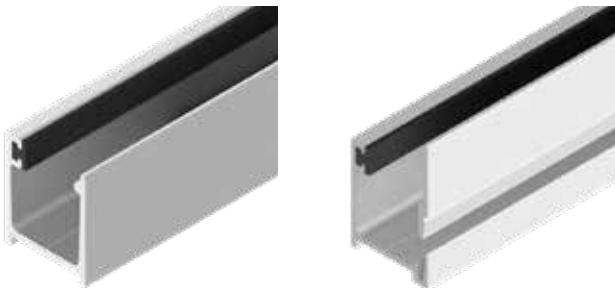
G-Fittings all-glass walls consists of slim aluminum profiles with integrated rubber gaskets and are designed for large glass panels with vertical glued joints. The glass is divided up in desired modules according to measurements, or to drawing.

The system consists of U and UL profiles in 2 widths and several heights. Glass from 8 - 21,52mm is used. The door frames are delivered with 2D adjustable - post hinges, and the same frame used for both timber and glass doors.



DROP DOWN SEAL FOR A TIGHT GLASS DOOR

The G-Fittings drop down seal »Clarita« for glass doors is the ideal solution to subsequently seal your glass door against sound leakage and annoying drafts.



EASY AND QUICK ASSEMBLY

We know the market and the challenges here, which is why we have developed and designed a completely new assembly-efficient system with pre-assembled rubber gasket on our profiles.

1 COMPLETE SYSTEM

At G-Fittings you get everything you need for your glass wall: Profiles, doors, glass, lock casings, door handles, gaskets, bonding tape, etc. All from one hand! – it does not get easier.

2 QUICK ASSEMBLY

A completely new system developed by us together with the craftsman. A number of profiles with assembly-friendly, smart solutions provide great benefits. The pre-assembled rubber gaskets in the profiles ensure that the glass wall can now be mounted by one person alone. The system has many adjustment options and good stability.

3 TAILORED SOLUTIONS

We offer a very large standard range. Based on this, you can combine profiles, glass and doors adapted to your needs. Unique solutions can be created together with us.

4 LARGE STOCK IN EMMERICH

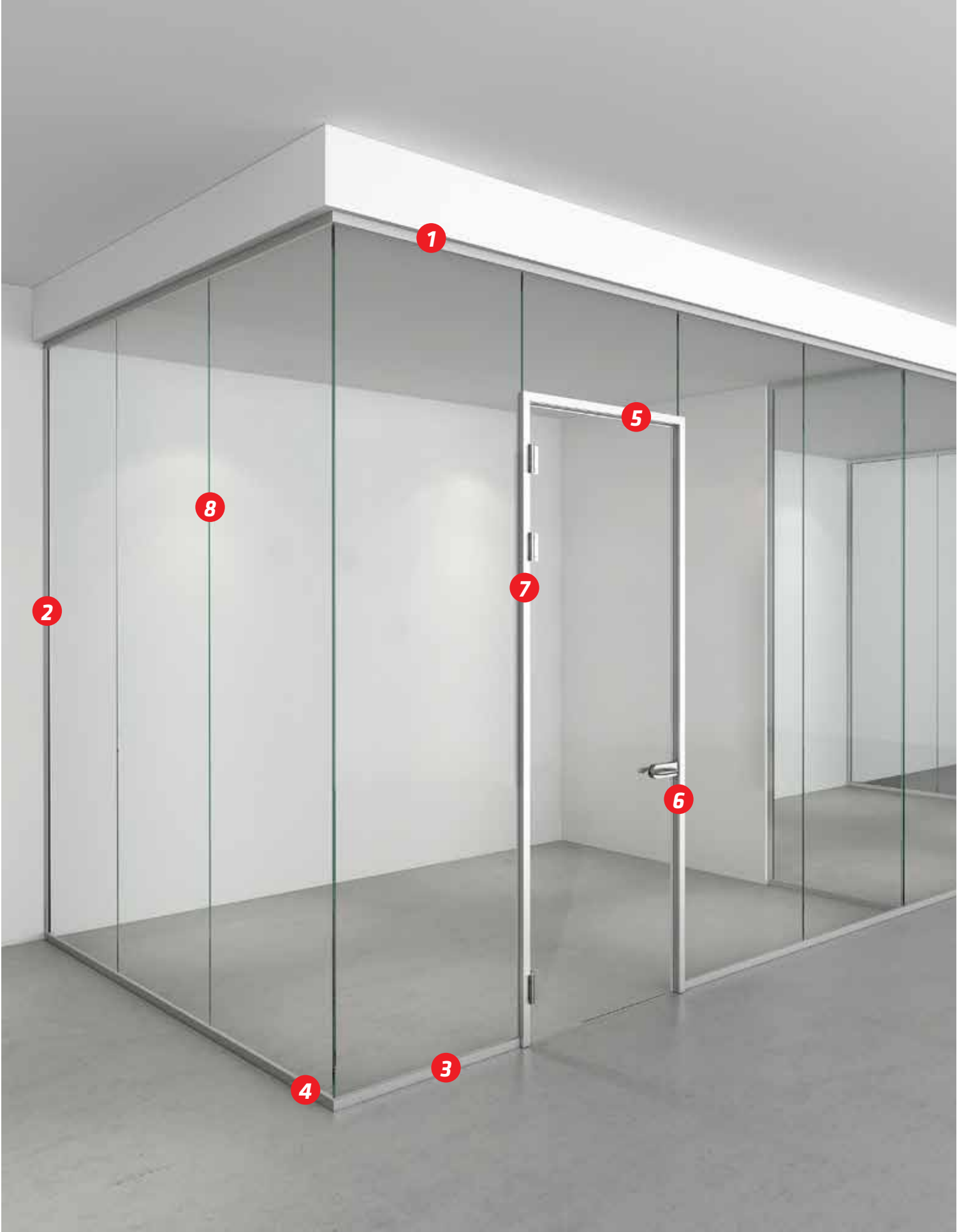
In addition to being a total supplier of solutions and competitive on price, we can also offer very fast delivery since we have most items in stock at all times. Glass, door frames, aluminum profiles and accessories are stocked.



ONE TYPE OF DOOR PROFILE

The door frames are unique constructed which ables that the same frame is used for timber and glass door. This solution makes it simpler and more flexible.

SYSTEM *GF ALL-GLASS WALLS*



PROFILES



1 U-PROFILE - CEILING

U profile 30, 40 and 60 mm can be used in ceilings. A pvc sealing strip is mounted at the back side of the u-profile against the ceiling.



3 UL-PROFILE - FLOOR

UL profile 30 or 40 mm is used against the floor. Profiles are divided into two parts, and the locking profile is clipped after the glass seats have been fitted. The glass is adjusted with adjusting blocks at the bottom.



2 UL-PROFILE - WALL

UL profile 30 and 40 mm can be used on the wall. The profile is divided into two parts, and the locking profile is clipped in after the glass has been fitted. This simplifies the assembly job and gives greater tolerances on the glass dimensions.



4 U-PROFILE - CORNER

The profiles can be easily adjusted on the construction site. The glass is mounted with bonding tape.

FRAME | DOOR



5 DOOR FRAME PROFILE

The same door frame profile is used for timber and glass doors. There is an integrated track for adjacent glass in the sides and top. The door frame is mounted after the bottom and top profiles have been mounted.



7 HINGES

Glass hinges are designed to be 2D adjustable. This means that the door can be adjusted quick and easy. On a standard door there are 3 hinges.



6 LOCK CASING

Lock casing set in stainless steel for glass door and included door handle is developed based on «Office and Studio». Can be delivered prepared for cylinder. Can also be delivered prepared for access control with electric bolt integrated in frame.



8 SILICONE BONDING TAPE

Silicone bonding tape is used to mount the glass surfaces during assembly. These are available in transparent.

PROFILES IN THE SYSTEM

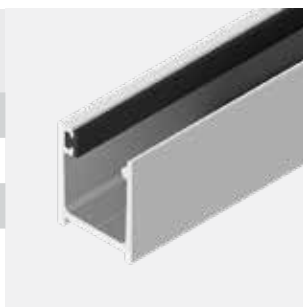
U-PROFIL

30 x 25 x 30 mm

40 x 25 x 30 mm

40 x 33 x 40 mm

60 x 25 x 60 mm

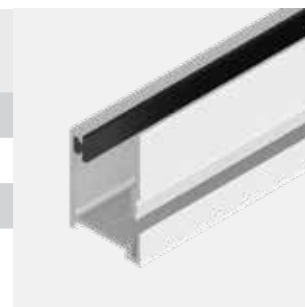


UL-PROFIL

30 x 25 x 30 mm

40 x 25 x 40 mm

40 x 33 x 40 mm



All profiles are available with a length of 2900 mm.

GF ALL-GLASS WALLS - dB

Our all-glass walls meet the following sound reduction:

GLASS	GLASS THICKNESS	SOUNDREDUCTION (RW)
Tempered	10,00 mm	32 dB
Laminated	10,76 mm	34 dB
Laminated	12,76 mm	37 dB
Laminated	16,76 mm	40 dB
Laminated	20,76 mm	41 dB
Laminated with acoustic foil	12,76 mm	40 dB
Laminated with acoustic foil	16,76 mm	42 dB
Laminated with acoustic foil	20,76 mm	44 dB

INHOUSE PRODUCTION OF GLASS AND PROFILES

G-Fittings processes profiles and glass in our own workshop. We also offer production of profiles and glass to special measurements and can deliver coated profiles in RAL.

SHORT DELIVERY TIME FROM STOCK

We have all standard items in stock and offer special production that is carried out quickly and efficiently.



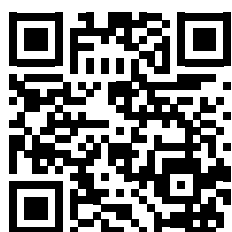
G-FITTINGS ALL-GLASS WALLS

- » Complete system
- » Short delivery time
- » New assembly-efficient system
- » Pre-assembled rubber gasket
- » Same door frame for glass and timber door
- » Special production is carried out quickly and efficiently
- » Profiles can be coated in RAL colours



LARGE WAREHOUSE AND PRODUCTION FACILITY IN EMMERICH.

For installation instructions and technical brochures visit g-fittings.shop.



G-Fittings GmbH
Marie-Curie-Str. 16-18
46446 Emmerich am Rhein
T +44 (0)1782 491 030
g-fittings.co.uk